

CE IP 67

4251

Neon Flex

TECHNICAL DATA

Mounting: Surface
LED Type: Neon Flex
Protection: IP67
Operation temperature: 0-50

ELECTRICAL DATA

Power: 12W
Type of Equipment:
Power factor:

OPTICAL DATA

Beam Angle: 120
Way of lighting: Direct
CCT: 2700K, 3000K, 4000K, 5000K, 6000
CRI: 90<

GENERAL DATA

Warranty: 3 Years
Application : Office, Residential, Hospitals, Schools

Another options on request



Code	Operating Voltage	Power	CRI / Ra	Luminous Efficacy	Lumens	Operating Temperature Range
4251.7112.1345	24V	12	90	33	400	0 - 50

Please note that the standard luminaire is not intended for use in an environment with a high degree of salinity. If it is required to adapt the luminaire to work in such an environment, please contact our Sales Department to confirm the possibility of using an additional protective coating.

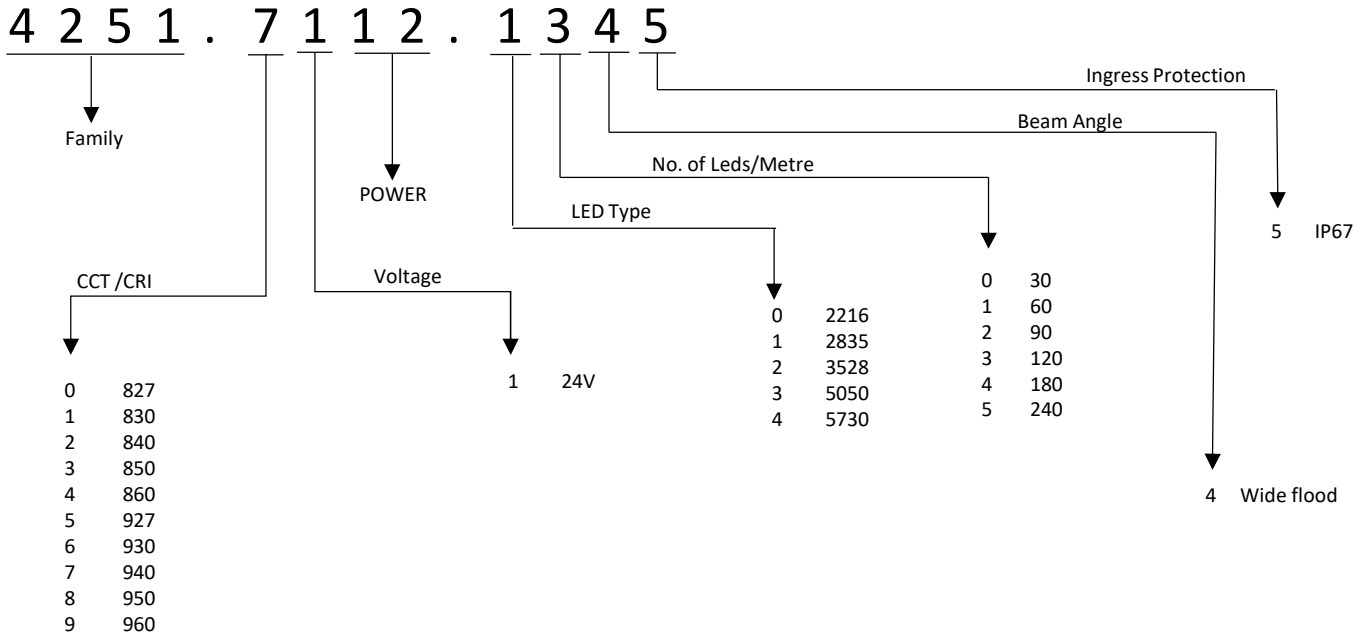
The operating temperature ranges apply only to luminaires used in the outdoor environment.

Power tolerance +/- 5%.

Colour temperature tolerance +/- 5%.

The EKO-LED Company reserves right to introduce any construction changes and improvements into the lighting.

ORDER DETAILS

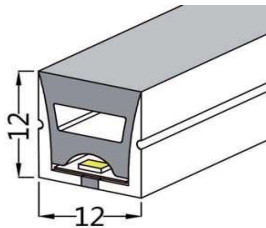


Code

Dimension (mm)

4251.7112.1345

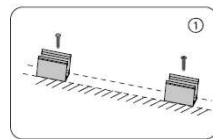
L 5000 X W 12



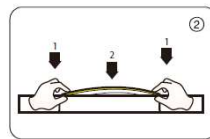
Accessories:



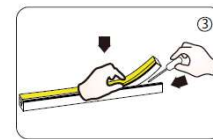
Attention:



1. Installation of clip
Fix the clips and aluminum profile via the screws
⚠ Suggestion: 2pcs clips per meter.



2. Installation of Neon
Simultaneously install the neon from both ends



3. Installation of Neon
Should use tools to assist when remove the neon

Please note that the standard luminaire is not intended for use in an environment with a high degree of salinity. If it is required to adapt the luminaire to work in such an environment, please contact our Sales Department to confirm the possibility of using an additional protective coating.

The operating temperature ranges apply only to luminaires used in the outdoor environment.

Power tolerance +/- 5%.

Colour temperature tolerance +/- 5%.

The EKO-LED Company reserves right to introduce any construction changes and improvements into the lighting.