

CE IP 44

1041

Recessed Down Light

TECHNICAL DATA

Mounting: Recessed
Body: Diecast Aluminium
Colour: White, Black
Protection: IP44
Operation temperature: 0-35

ELECTRICAL DATA

Power:
Type of Equipment: ED, Dimmable on request
Power factor: 0.9<
Input Voltage: AC 220-240V 50/60Hz

OPTICAL DATA

Beam Angle: 120
Way of lighting: Direct
Diffuser: Acrylic
CCT: 3000K, 4000K, 5000K
CRI: 80<

GENERAL DATA

Warranty: 5Years
Application : Office, Residential, Hospitals



Code	Type of Equipment	Power	CRI / Ra	Luminous Efficacy	Lumens	Operating Temperature Range
1041.XX10.XXXX	ED/DIM	10	80/90	90	900	0 - 35
1041.XX12.XXXX	ED/DIM	12	80/90	90	1080	0 - 35
1041.XX15.XXXX	ED/DIM	15	80/90	90	1350	0 - 35
1041.XX20.XXXX	ED/DIM	20	80/90	90	1800	0 - 35
1041.XX30.XXXX	ED/DIM	30	80/90	90	2700	0 - 35
1041.XX40.XXXX	ED/DIM	40	80/90	90	3600	0 - 35
1041.XX45.XXXX	ED/DIM	45	80/90	90	4050	0 - 35

Please note that the standard luminaire is not intended for use in an environment with a high degree of salinity. If it is required to adapt the luminaire to work in such an environment, please contact our Sales Department to confirm the possibility of using an additional protective coating.

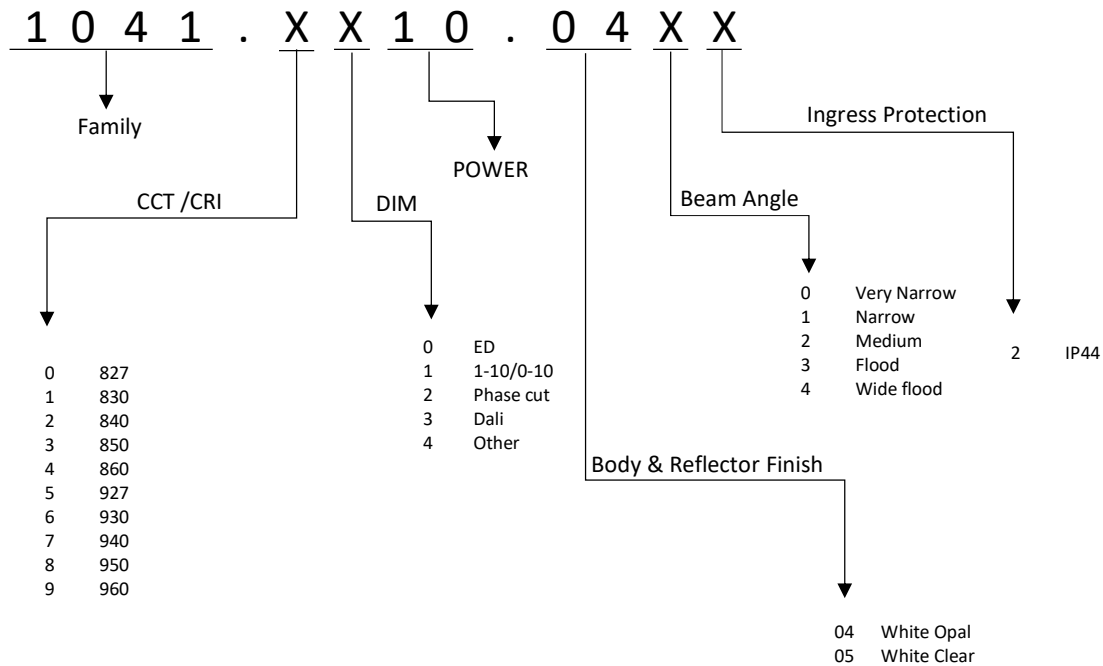
The operating temperature ranges apply only to luminaires used in the outdoor environment.

Power tolerance +/- 5%.

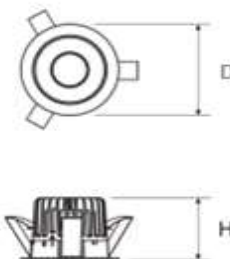
Colour temperature tolerance +/- 5%.

The EKO-LED Company reserves right to introduce any construction changes and improvements into the lighting.

ORDER DETAILS



Code	Dimension (mm)	Cutout (mm)
1041.XX10.XXXX	D 110 X H 53	90-95
1041.XX12.XXXX	D 110 X H 53	90-95
1041.XX15.XXXX	D 145 X H 69	125-130
1041.XX20.XXXX	D 190 X H 86	165-170
1041.XX30.XXXX	D 190 X H 86	165-170
1041.XX40.XXXX	D 230 X H 99	200-210
1041.XX45.XXXX	D 230 X H 99	200-210



Please note that the standard luminaire is not intended for use in an environment with a high degree of salinity. If it is required to adapt the luminaire to work in such an environment, please contact our Sales Department to confirm the possibility of using an additional protective coating. The operating temperature ranges apply only to luminaires used in the outdoor environment.

Power tolerance +/- 5%.

Colour temperature tolerance +/- 5%.

The EKO-LED Company reserves right to introduce any construction changes and improvements into the lighting.