

CE IP 67

9500

Power Supply

TECHNICAL DATA

Body: Metal
Colour:
Protection: IP67
Operation temperature: $-10^0 \sim +50^0$
Storage temperature: $-10^0 \sim +80^0$

ELECTRICAL DATA

Power: 60 - 300W
Type of Equipment: ED, Dimmable on request
Efficiency: $\geq 89\%$
Input Voltage: AC 110-250V / 50-60Hz
EMC: Compliance to EN55032(CISPR32)

GENERAL DATA

Application : For Constant Voltage Luminaires



Code	Type of Equipment	Power	Input	Output	Operating Temperature Range
9500.0060.0105	ED	60	AC 110-250V	24V DC 2.5A	$-10^0 \sim +50^0$
9500.0100.0105	ED	100	AC 110-250V	24V DC 4.2A	$-10^0 \sim +50^0$
9500.0150.0105	ED	150	AC 110-250V	24V DC 6.3A	$-10^0 \sim +50^0$
9500.0200.0105	ED	200	AC 110-250V	24V DC 8.3A	$-10^0 \sim +50^0$
9500.0300.0105	ED	300	AC 110-250V	24V DC 12.5A	$-10^0 \sim +50^0$

Please note that the standard luminaire is not intended for use in an environment with a high degree of salinity. If it is required to adapt the luminaire to work in such an environment, please contact our Sales Department to confirm the possibility of using an additional protective coating.

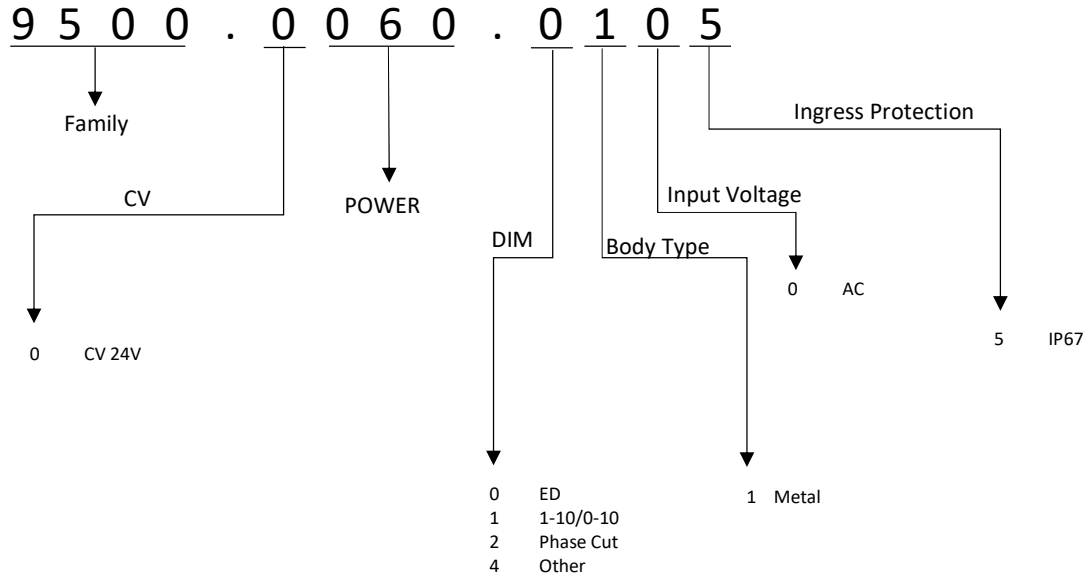
The operating temperature ranges apply only to luminaires used in the outdoor environment.

Power tolerance +/- 5%.

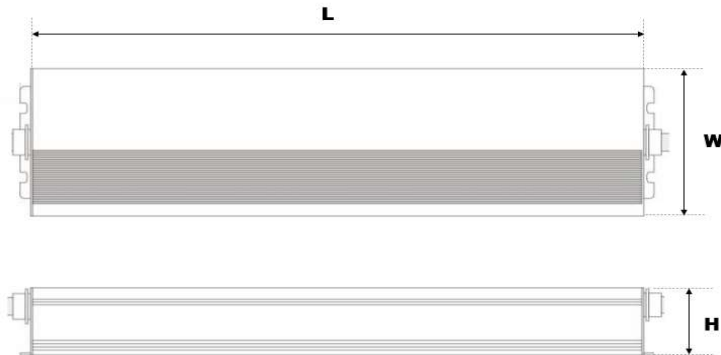
Colour temperature tolerance +/- 5%.

The EKO-LED Company reserves right to introduce any construction changes and improvements into the lighting.

ORDER DETAILS



Code	Dimension (mm)
9500.0060.0105	L 150 X W 38 X H 21
9500.0100.0105	L 195 X W 53 X H 19
9500.0150.0105	L 215 X W 60 X H 24
9500.0200.0105	L 215 X W 60 X H 24
9500.0300.0105	L 220 X W 78 X H 32



Please note that the standard luminaire is not intended for use in an environment with a high degree of salinity. If it is required to adapt the luminaire to work in such an environment, please contact our Sales Department to confirm the possibility of using an additional protective coating.
 The operating temperature ranges apply only to luminaires used in the outdoor environment.
 Power tolerance +/- 5%.
 Colour temperature tolerance +/- 5%.

The EKO-LED Company reserves right to introduce any construction changes and improvements into the lighting.