

CE IP 44

1043

Recessed Down Light

TECHNICAL DATA

Mounting: Recessed
Body: Diecast Aluminium
Colour: White, Black
Protection: IP44
Operation temperature: 0~35°

ELECTRICAL DATA

Power: 10-50W
Type of Equipment: ED, Dimmable on request
Power factor: 0.9<
Input Voltage: AC 220-240V 50/60Hz

OPTICAL DATA

Beam Angle: 45°
Way of lighting: Direct
Diffuser: Glass
CCT: 3000K, 4000K, 5000K
CRI: 80<

GENERAL DATA

Warranty: 5Years
Application : Office, Residential, Hospitals



Code	Type of Equipment	Power	CRI / Ra	Luminous Efficacy	Lumens	Operating Temperature Range
1043.XX07.0032	ED/DIM	7	80/90	100	900	0 - 35
1043.XX12.0032	ED/DIM	12	80/90	100	1200	0 - 35
1043.XX15.0032	ED/DIM	15	80/90	100	1500	0 - 35
1043.XX25.0032	ED/DIM	25	80/90	100	2500	0 - 35
1043.XX30.0032	ED/DIM	30	80/90	100	3000	0 - 35
1043.XX45.0032	ED/DIM	45	80/90	100	4500	0 - 35

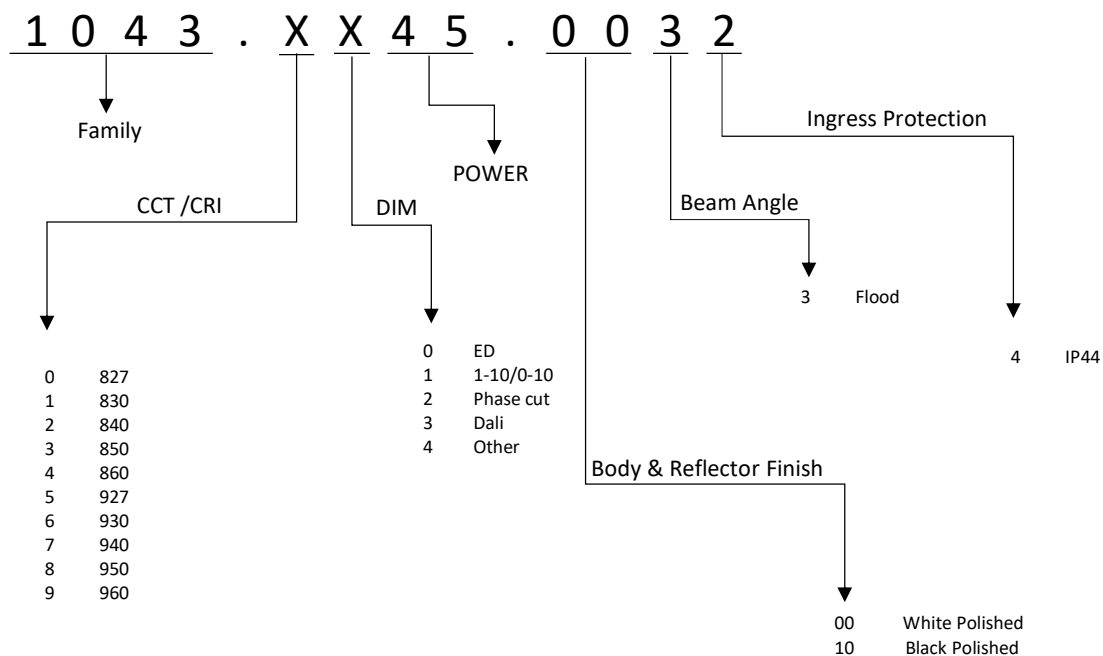
Please note that the standard luminaire is not intended for use in an environment with a high degree of salinity. If it is required to adapt the luminaire to work in such an environment, please contact our Sales Department to confirm the possibility of using an additional protective coating.
 The operating temperature ranges apply only to luminaires used in the outdoor environment.

Power tolerance +/- 5%.

Colour temperature tolerance +/- 5%.

The EKO-LED Company reserves right to introduce any construction changes and improvements into the lighting.

ORDER DETAILS



Code	Dimension (mm)	Cutout (mm)
1043.XX07.0032	D 95	75
1043.XX12.0032	D 115	95
1043.XX15.0032	D 140	115
1043.XX25.0032	D 165	145
1043.XX30.0032	D 195	165
1043.XX45.0032	D 230	195



Please note that the standard luminaire is not intended for use in an environment with a high degree of salinity. If it is required to adapt the luminaire to work in such an environment, please contact our Sales Department to confirm the possibility of using an additional protective coating.

The operating temperature ranges apply only to luminaires used in the outdoor environment.

Power tolerance +/- 5%.

Colour temperature tolerance +/- 5%.

The EKO-LED Company reserves right to introduce any construction changes and improvements into the lighting.