

TECHNICAL DATA

Mounting: Surface Mounted
Body: Aluminium
Colour: Silver/Black/White
Protection: IP20
Operation temperature: 0 ~+35

ELECTRICAL DATA

Power:
Type of Equipment: ED
Power factor: 0.90<

OPTICAL DATA

Way of lighting: Direct
Diffuser: Poly carbonate
CCT: 3000K, 4000K, 5000K
CRI: 80<

GENERAL DATA

Application : Offices, Residential, Shops, Hospitals



Code	Type of Equipment	Power	CRI / Ra	Luminous Efficacy	Lumens	Operating Temperature range
2255.1015.0301	ED	15	80	90	1350	0 ~+35
2255.2015.0301	ED	15	80	90	1350	0 ~+35
2255.1020.0301	ED	20	80	90	1800	0 ~+35
2255.2020.0301	ED	20	80	90	1800	0 ~+35

Please note that the standard luminaire is not intended for use in an environment with a high degree of salinity. If it is required to adapt the luminaire to work in such an environment, please contact our Sales Department to confirm the possibility of using an additional protective coating.

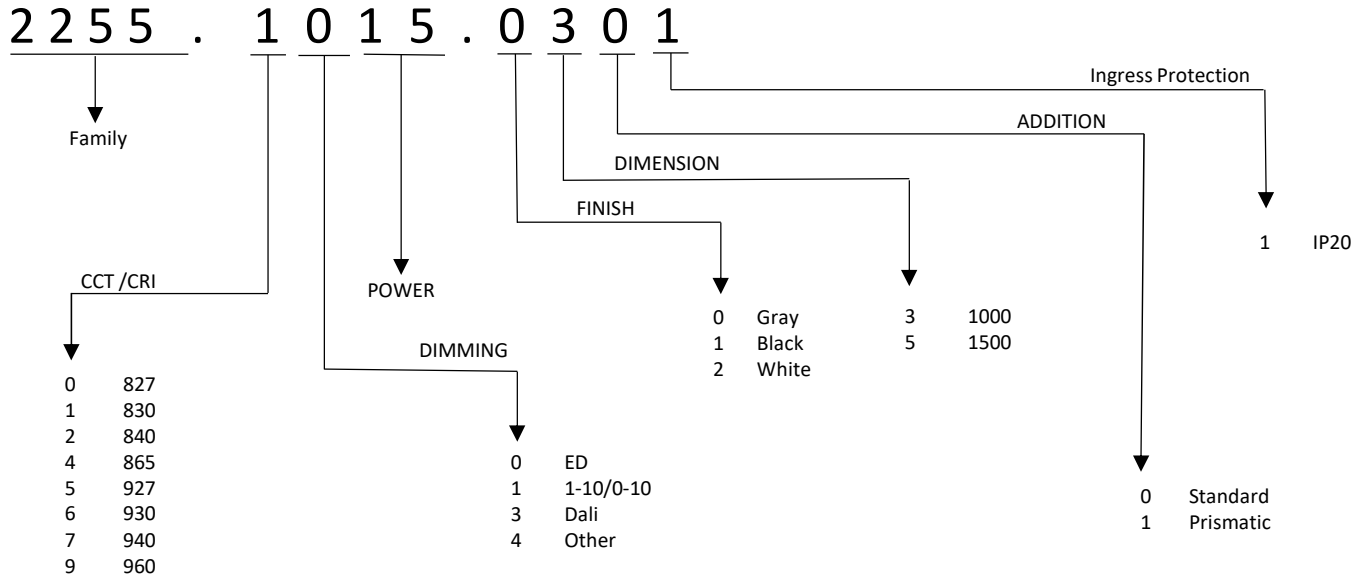
The operating temperature ranges apply only to luminaires used in the outdoor environment.

Power tolerance +/- 5%.

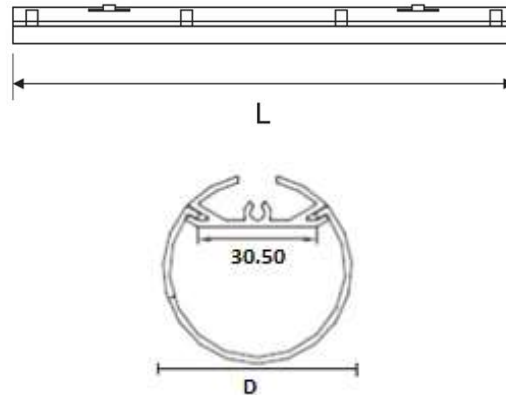
Colour temperature tolerance +/- 5%.

The EKO-LED Company reserves right to introduce any construction changes and improvements into the lighting.

ORDER DETAILS



Code	Dimension (mm)	
2255.1015.0301	L 1000	D 60
2255.2015.0301	L 1000	D 60
2255.1020.0301	L 1000	D 60
2255.2020.0301	L 1000	D 60



Please note that the standard luminaire is not intended for use in an environment with a high degree of salinity. If it is required to adapt the luminaire to work in such an environment, please contact our Sales Department to confirm the possibility of using an additional protective coating.

The operating temperature ranges apply only to luminaires used in the outdoor environment.

Power tolerance +/- 5%.

Colour temperature tolerance +/- 5%.

The EKO-LED Company reserves right to introduce any construction changes and improvements into the lighting.