

CE IP 65

4000

Flexible LED Striplight

TECHNICAL DATA

Mounting: Surface
LED Type: 2835
Protection: IP65
Operation temperature: 0-50

ELECTRICAL DATA

Power: 5/10/15/20
Type of Equipment:
Power factor:

OPTICAL DATA

Beam Angle: 120
Way of lighting: Direct
CCT: 3000K, 4000K, 6000K
CRI: 80<

GENERAL DATA

Warranty: 5Years
Application : Office, Residential, Hospitals



Code	Operating Voltage	Power	CRI / Ra	CCT	Lumens	Operating Temperature Range
4000.1105.1544	24V	5W	80	3000K	500	0 - 50
4000.2105.1544	24V	5W	80	4000K	550	0 - 50
4000.1110.1544	24V	10W	80	3000K	1000	0 - 50
4000.2110.1544	24V	10W	80	4000K	1100	0 - 50
4000.1115.1544	24V	15W	80	3000K	1500	0 - 50
4000.2115.1544	24V	15W	80	4000K	1500	0 - 50
4000.1120.1544	24V	20W	80	3000K	1900	0 - 50
4000.2120.1544	24V	20W	80	4000K	1900	0 - 50

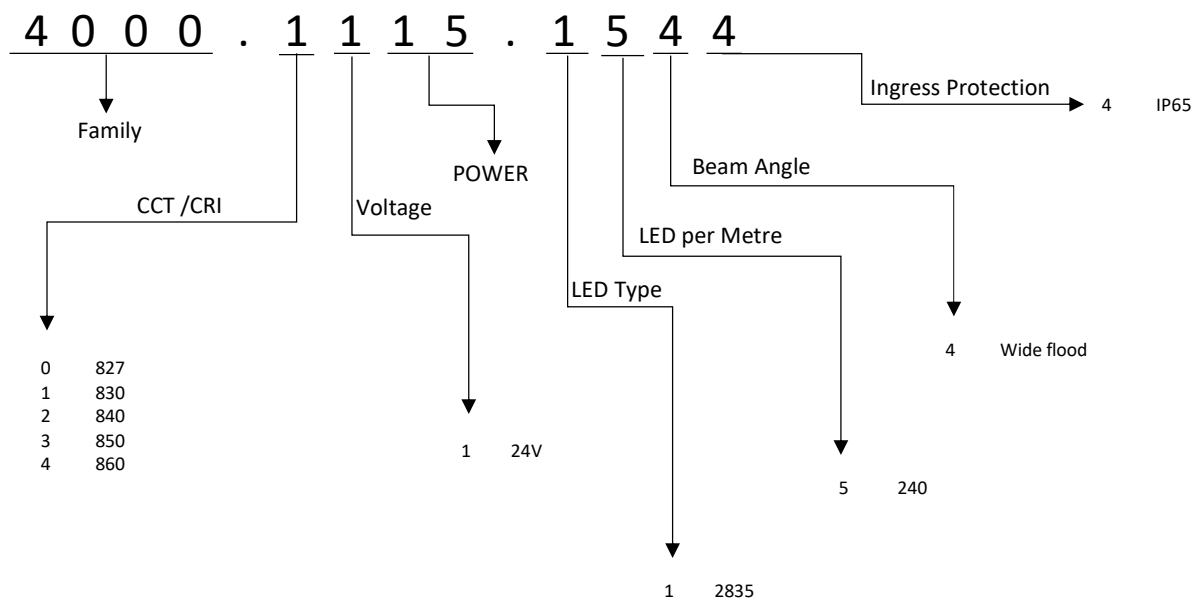
Please note that the standard luminaire is not intended for use in an environment with a high degree of salinity. If it is required to adapt the luminaire to work in such an environment, please contact our Sales Department to confirm the possibility of using an additional protective coating.

The operating temperature ranges apply only to luminaires used in the outdoor environment. 50° Ta mentioned above is subject to installation of striplight on suitable aluminium profile.

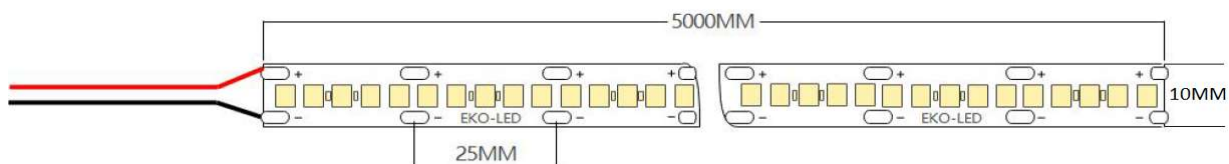
Power/Lumen/Colour temperature tolerance +/- 10%.

The EKO-LED Company reserves right to introduce any construction changes and improvements into the lighting.

ORDER DETAILS



Code	Dimension (mm)
4000.1105.1544	L 5000 x W 10
4000.2105.1544	L 5000 x W 10
4000.1110.1544	L 5000 x W 10
4000.2110.1544	L 5000 x W 10
4000.1115.1544	L 5000 x W 10
4000.2115.1544	L 5000 x W 10
4000.1120.1544	L 5000 x W 10
4000.2120.1544	L 5000 x W 10



Please note that the standard luminaire is not intended for use in an environment with a high degree of salinity. If it is required to adapt the luminaire to work in such an environment, please contact our Sales Department to confirm the possibility of using an additional protective coating. The operating temperature ranges apply only to luminaires used in the outdoor environment. 50° Ta mentioned above is subject to installation of striplight on suitable aluminium profile. Power/Lumen/Colour temperature tolerance +/- 10%.

The EKO-LED Company reserves right to introduce any construction changes and improvements into the lighting.