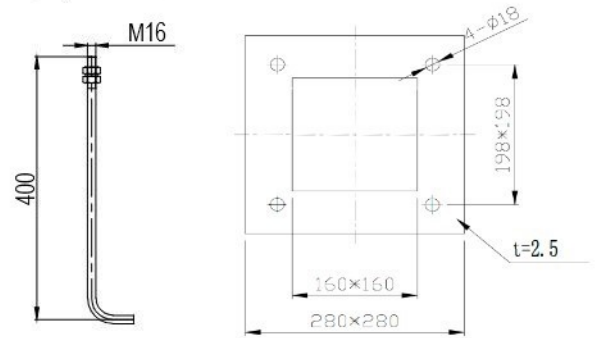
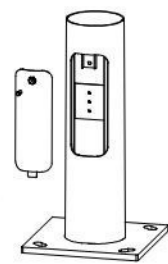
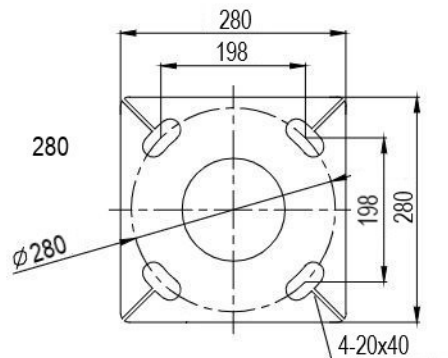


ANCHOR BOLTS 4pcs



BACK PLANE



TECHNICAL REQUIREMENTS:

1. ALL DIMENSIONS ARE IN MILLIMETER
2. AFTER GALVANIZED SPRAY PLASTIC
3. THICKNESS OF GALVANIZED $\geq 85\mu m$

Code: 8500

PRODUCT NAME		3M pole painted RAL9005		
DESIGN		MATERIAL	Q235	
		QUANTITY		
APPROVAL		05.27.22	WEIGHT	