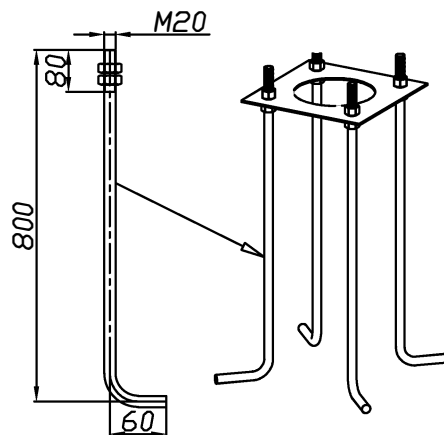
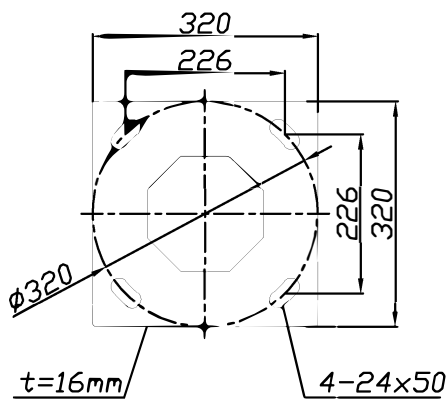


ANCHOR BOLTS

4 pcs



BACK PLANE



TECHNICAL REQUIREMENTS:

1. ALL DIMENSIONS ARE IN MILLIMETER
2. THICKNESS OF GALVANIZED $\geq 85\mu\text{m}$

PRODUCT NAME		8M SINGLE ARM POLE	
DESIGN		MATERIAL	Q235
APPROVAL		QUANTITY	
		WEIGHT	
		08.08.23	