

CE IP 66 IK 08

7505

Pole Top light fixtures

TECHNICAL DATA

Mounting: Pole Mounted
Body: Pressure Diecast Aluminium
Colour: Black, other RAL colour on request
Protection: IP66
Operation temperature: -25 ~ +50

ELECTRICAL DATA

Power: 40W / 60W / 80W
Type of Equipment: ED, Dimmable on request
Power factor: 0.90<

OPTICAL DATA

Beam Angle:
Way of lighting: Direct
Diffuser: Tempered Glass
CCT: 2700K - 5700K
CRI: 70<

GENERAL DATA

Application : Parks, Gardens, Pathway, Shopping malls etc..

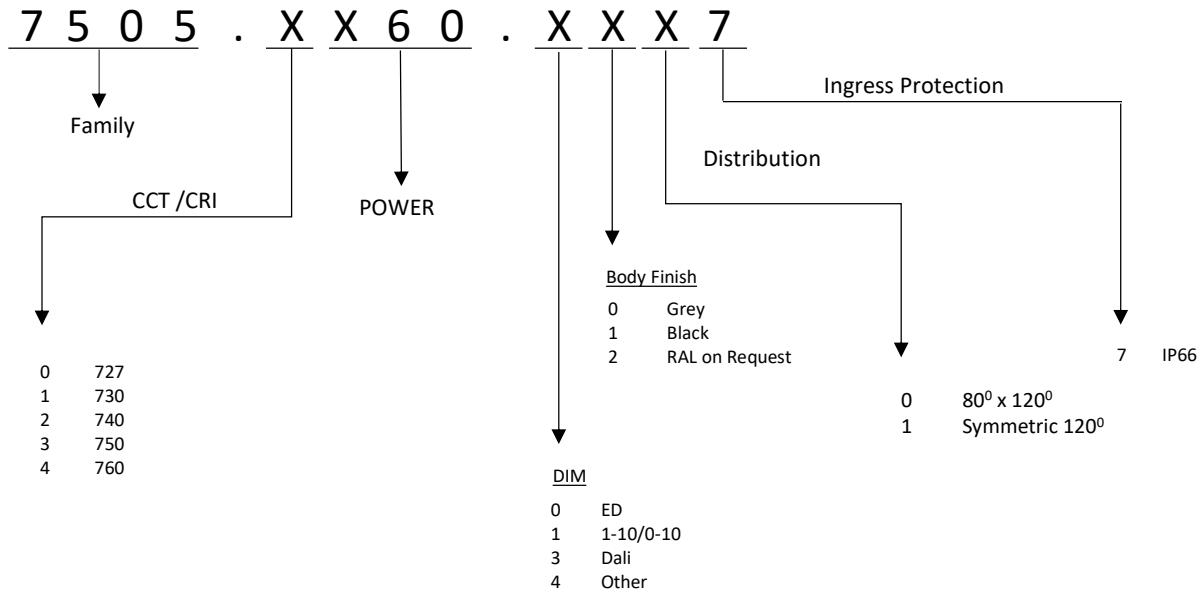


Code	Type of Equipment	Power	CRI / Ra	Luminous Efficacy	Lumens	Operating Temperature Range
7505.XX40.XXX7	ED	40	70	140	5600	-25 ~ +50
7505.XX60.XXX7	ED	60	70	140	8400	-25 ~ +50
7505.XX80.XXX7	ED	80	70	140	11200	-25 ~ +50

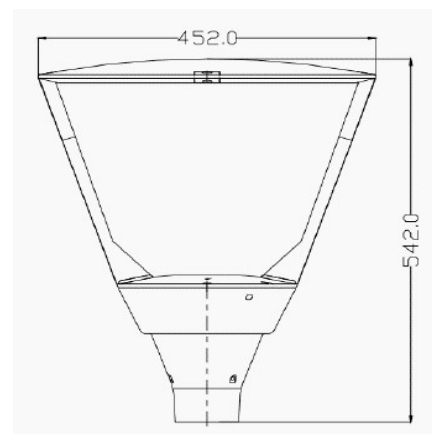
Please note that the standard luminaire is not intended for use in an environment with a high degree of salinity. If it is required to adapt the luminaire to work in such an environment, please contact our Sales Department to confirm the possibility of using an additional protective coating.
 The operating temperature ranges apply only to luminaires used in the outdoor environment.
 Power tolerance +/- 5%.
 Colour temperature tolerance +/- 5%.

The EKO-LED Company reserves right to introduce any construction changes and improvements into the lighting.

ORDER DETAILS



Code	Dimension (mm)	Mounting Dia (mm)
7505.XX40.XXX4	D 452 X H 542	60
7505.XX60.XXX4	D 452 X H 542	60
7505.XX80.XXX4	D 452 X H 542	60



PHOTOMETRIC DISTRIBUTIONS

Please note that the standard luminaire is not intended for use in an environment with a high degree of salinity. If it is required to adapt the luminaire to work in such an environment, please contact our Sales Department to confirm the possibility of using an additional protective coating.

The operating temperature ranges apply only to luminaires used in the outdoor environment.

Power tolerance +/- 5%.

Colour temperature tolerance +/- 5%.

The EKO-LED Company reserves right to introduce any construction changes and improvements into the lighting.