

CE IP 66 IK 10

3600

## Wall/Ceiling Light

### TECHNICAL DATA

**Mounting:** Surface  
**Body:** PC Body  
**Colour:** White  
**Protection:** IP66  
**Operation temperature:** 0-50

### ELECTRICAL DATA

**Power:** 12 / 15 / 18 / 20 / 24W  
**Type of Equipment:** ED, Dimmable on request  
**Power factor:** 0.9<  
**Input Voltage:** AC 220-240V 50/60Hz

### OPTICAL DATA

**Beam Angle:** Wide Beam  
**Way of lighting:** Direct  
**Diffuser:** PC  
**CCT:** 3000K, 4000K, 6000K  
**CRI:** 80<

### GENERAL DATA

**Warranty:**  
**Application :** Halls, Staircases, Corridors, Balcony



Code	Type of		CRI / Ra	Luminous		Operating Temperature
	Equipment	Power		Efficacy	Lumens	Range
3600.X012.0247	ED	12	85	100	1200	0 - 50
3600.X015.0247	ED	15	85	100	1500	0 - 50
3600.X018.0247	ED	18	85	100	1800	0 - 50
3600.X020.0247	ED	20	85	100	2000	0 - 50
3600.X024.0247	ED	24	85	100	2400	0 - 50

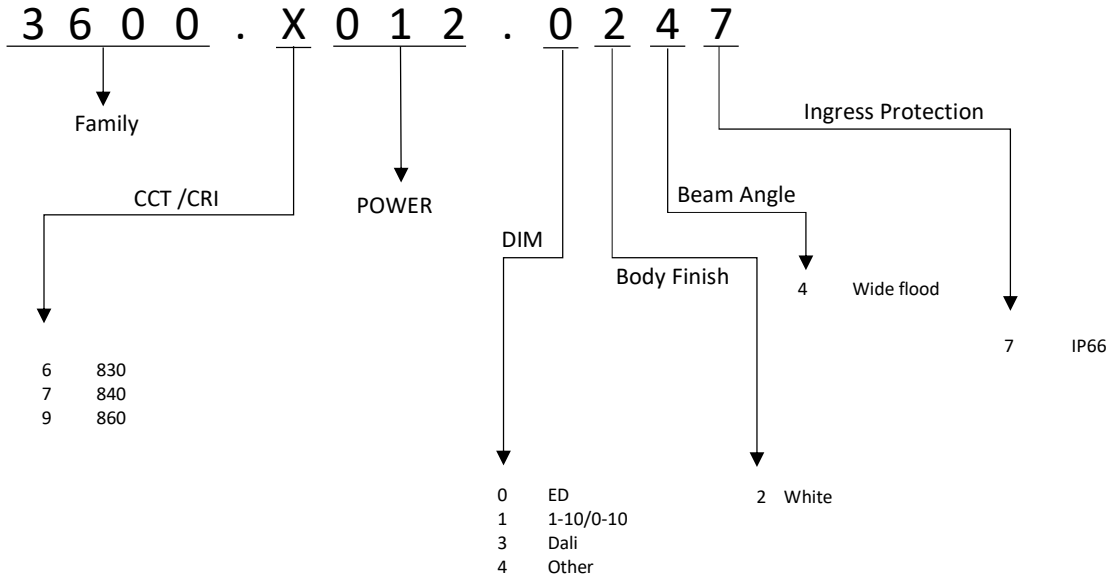
Please note that the standard luminaire is not intended for use in an environment with a high degree of salinity. If it is required to adapt the luminaire to work in such an environment, please contact our Sales Department to confirm the possibility of using an additional protective coating.  
 The operating temperature ranges apply only to luminaires used in the outdoor environment.

Power tolerance +/- 5%.

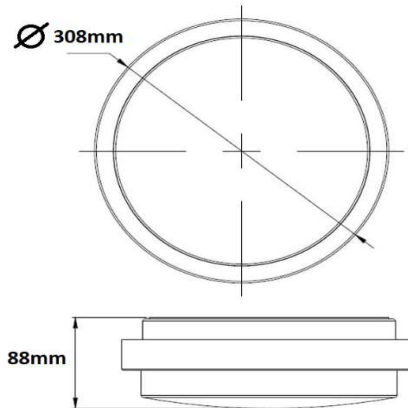
Colour temperature tolerance +/- 5%.

The EKO-LED Company reserves right to introduce any construction changes and improvements into the lighting.

## ORDER DETAILS



Code	Dimension (mm)
3600.X012.0247	D 308 X H: 88
3600.X015.0247	D 308 X H: 88
3600.X018.0247	D 308 X H: 88
3600.X020.0247	D 308 X H: 88
3600.X024.0247	D 308 X H: 88



## PHOTOMETRIC DISTRIBUTIONS

Please note that the standard luminaire is not intended for use in an environment with a high degree of salinity. If it is required to adapt the luminaire to work in such an environment, please contact our Sales Department to confirm the possibility of using an additional protective coating. The operating temperature ranges apply only to luminaires used in the outdoor environment.

Power tolerance +/- 5%.  
Colour temperature tolerance +/- 5%.

The EKO-LED Company reserves right to introduce any construction changes and improvements into the lighting.