

CE IP 65

7660

Flood Light

TECHNICAL DATA

Mounting: Surface or Pole

Body: Die Cast Aluminium

Colour: Black

Protection: IP65

Operation temperature: -30° ~ +50°

ELECTRICAL DATA

Power: 50W / 100W / 200W / 300W / 400W / 500W / 600W

Type of Equipment: ED, Dimmable on request

Power factor: 0.90<

Input Voltage: AC 220-240V 50/60Hz

OPTICAL DATA

Beam Angle:

Way of lighting: Direct

Diffuser: PC Lens

CCT: 3000K / 6500K

CRI: 80<

GENERAL DATA

Application : Airports, Large recreational sports facilities, Harbors, Squares, Industrial areas, Outdoor car parking etc..

Warranty: 5 Years

Accessories :



** Philips Driver & Philips LED 3030 Chip

Code	Type of			Luminous		Operating Temperature
	Equipment	Power	CRI / Ra	Efficacy	Lumens	Range
7660.0050.XXX4	ED	50	80	110	5500	-30° ~ +50°
7660.0100.XXX4	ED	100	80	110	11000	-30° ~ +50°
7660.0200.XXX4	ED	200	80	110	22000	-30° ~ +50°
7660.0300.XXX4	ED	300	80	110	33000	-30° ~ +50°
7660.0400.XXX4	ED	400	80	110	44000	-30° ~ +50°
7660.0500.XXX4	ED	500	80	110	55000	-30° ~ +50°
7660.0600.XXX4	ED	600	80	110	66000	-30° ~ +50°

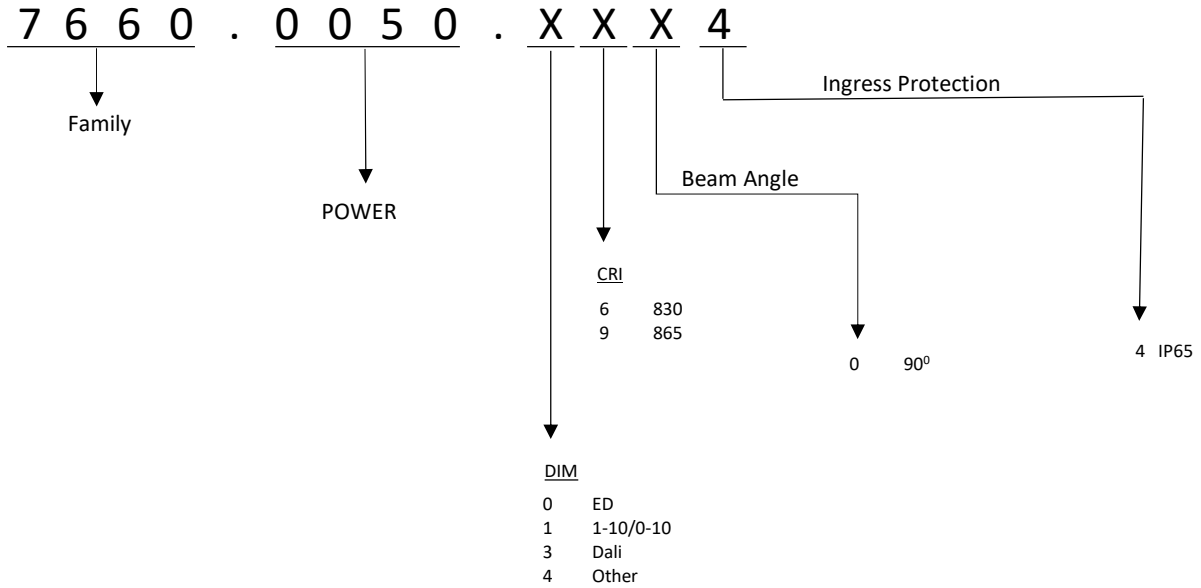
Please note that the standard luminaire is not intended for use in an environment with a high degree of salinity. If it is required to adapt the luminaire to work in such an environment, please contact our Sales Department to confirm the possibility of using an additional protective coating.

The operating temperature ranges apply only to luminaires used in the outdoor environment.

Power tolerance +/- 5%. Colour temperature tolerance +/- 5%.

The EKO-LED Company reserves right to introduce any construction changes and improvements into the lighting.

ORDER DETAILS



Code	Dimension (mm)
7660.0050.XXX4	302 X 74 X 128
7660.0100.XXX4	302 X 158 X 168
7660.0200.XXX4	302 X 326 X 168
7660.0300.XXX4	302 X 494 X 168
7660.0400.XXX4	590 X 326 X 215
7660.0500.XXX4	590 X 410 X 215
7660.0600.XXX4	590 X 494 X 215



Please note that the standard luminaire is not intended for use in an environment with a high degree of salinity. If it is required to adapt the luminaire to work in such an environment, please contact our Sales Department to confirm the possibility of using an additional protective coating. The operating temperature ranges apply only to luminaires used in the outdoor environment. Power tolerance +/- 5%. Colour temperature tolerance +/- 5%.

The EKO-LED Company reserves right to introduce any construction changes and improvements into the lighting.