

CE IP 65 IK 08

6504 Bollard

TECHNICAL DATA

Mounting: Surface
Body: Diecast Aluminium
Colour: Black, Other colour on request
Protection: IP65
Operation temperature: -25 - +50

ELECTRICAL DATA

Power: 20W
Type of Equipment: ED, Dimmable on request
Power factor: 0.9<

OPTICAL DATA

Beam Angle:
Way of lighting: Direct
Diffuser: PC
CCT: 3000K, 4000K, 5000K
CRI: 80<

GENERAL DATA

Warranty:
Application : Parks, Gardens, Pathway, Shopping malls etc..

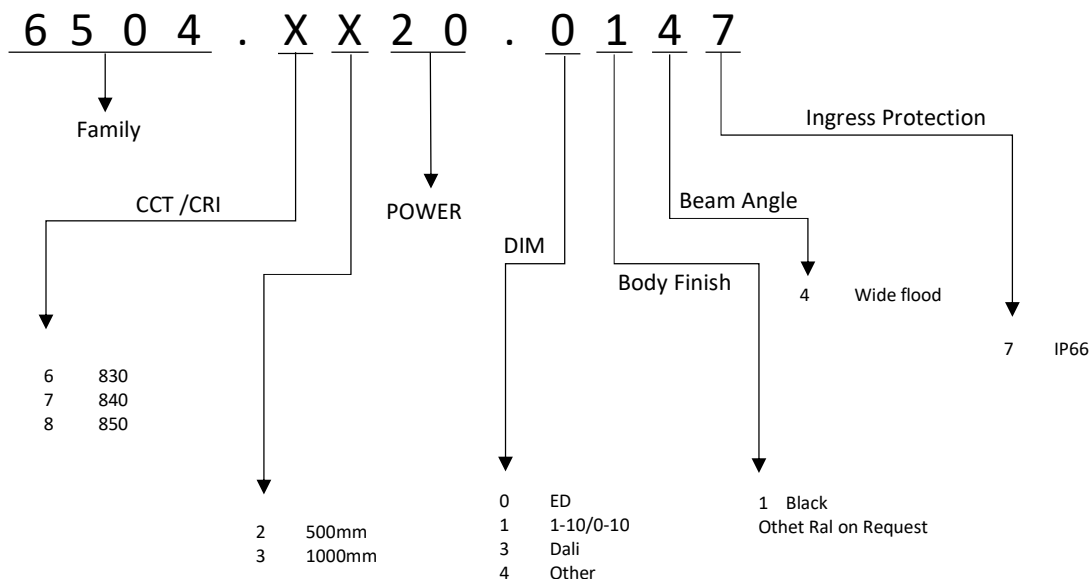


Code	Type of Equipment	Power	CRI / Ra	Luminous Efficacy	Lumens	Operating Temperature Range
6504.XX20.0147	ED/DIM	20	80	100	2000	-25 - +50

Please note that the standard luminaire is not intended for use in an environment with a high degree of salinity. If it is required to adapt the luminaire to work in such an environment, please contact our Sales Department to confirm the possibility of using an additional protective coating.
 The operating temperature ranges apply only to luminaires used in the outdoor environment.
 Power tolerance +/- 5%.
 Colour temperature tolerance +/- 5%.

The EKO-LED Company reserves right to introduce any construction changes and improvements into the lighting.

ORDER DETAILS

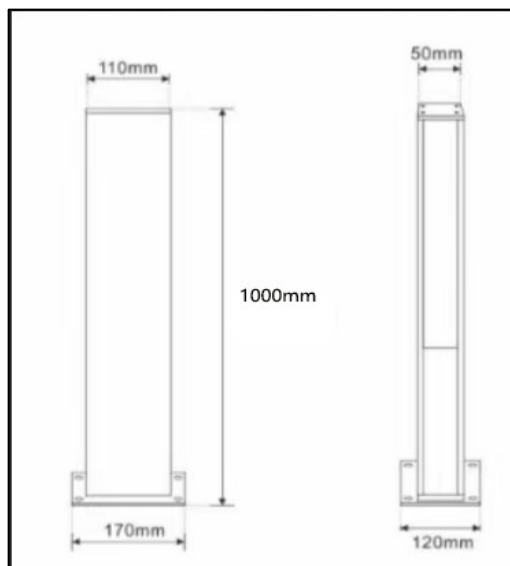
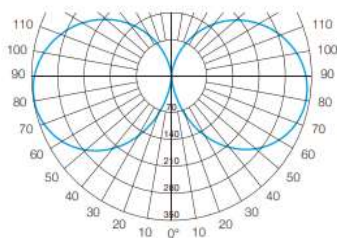


Code

Dimension (mm)

6504.XX20.0147

L 110 x W 50 x H 1000



PHOTOMETRIC DISTRIBUTIONS

Please note that the standard luminaire is not intended for use in an environment with a high degree of salinity. If it is required to adapt the luminaire to work in such an environment, please contact our Sales Department to confirm the possibility of using an additional protective coating.

The operating temperature ranges apply only to luminaires used in the outdoor environment.

Power tolerance +/- 5%.

Colour temperature tolerance +/- 5%.

The EKO-LED Company reserves right to introduce any construction changes and improvements into the lighting.