

CE IP 66 IK 08

8000

Street Light

TECHNICAL DATA

Mounting: Pole 60/45mm or on out riggers 60/45mm

Body: Diecast Aluminium

Colour: Grey

Protection: IP66

Operation temperature: $-40^{\circ} \sim +50^{\circ}$



ELECTRICAL DATA

Type of Equipment: ED, Dimmable on request

Power factor: 0.90<

Input Voltage: AC 220-240V 50/60Hz

OPTICAL DATA

Distribution: IESNA TYPE II,III & IV

Way of lighting: Direct

Diffuser: Tempered Glass

CCT: 3000K / 4000K / 6500K

CRI: 70<



GENERAL DATA

Application : local roads, town roads, residential area roads, area lighting

Warranty: 5 Years

Code	Type of	Power	CRI / Ra	Luminous	Lumens	Operating Temperature
	Equipment			Efficacy		Range
8000.0035.XXX7	ED	35	70	140	4900	$-30^{\circ} \sim +50^{\circ}$
8000.0075.XXX7	ED	75	70	140	10500	$-30^{\circ} \sim +50^{\circ}$
8000.0100.XXX7	ED	100	70	140	14000	$-30^{\circ} \sim +50^{\circ}$
8000.0150.XXX7	ED	150	70	140	21000	$-30^{\circ} \sim +50^{\circ}$
8000.0180.XXX7	ED	180	70	140	25200	$-30^{\circ} \sim +50^{\circ}$
8000.0210.XXX7	ED	210	70	140	29400	$-30^{\circ} \sim +50^{\circ}$

Please note that the standard luminaire is not intended for use in an environment with a high degree of salinity. If it is required to adapt the luminaire to work in such an environment, please contact our Sales Department to confirm the possibility of using an additional protective coating.

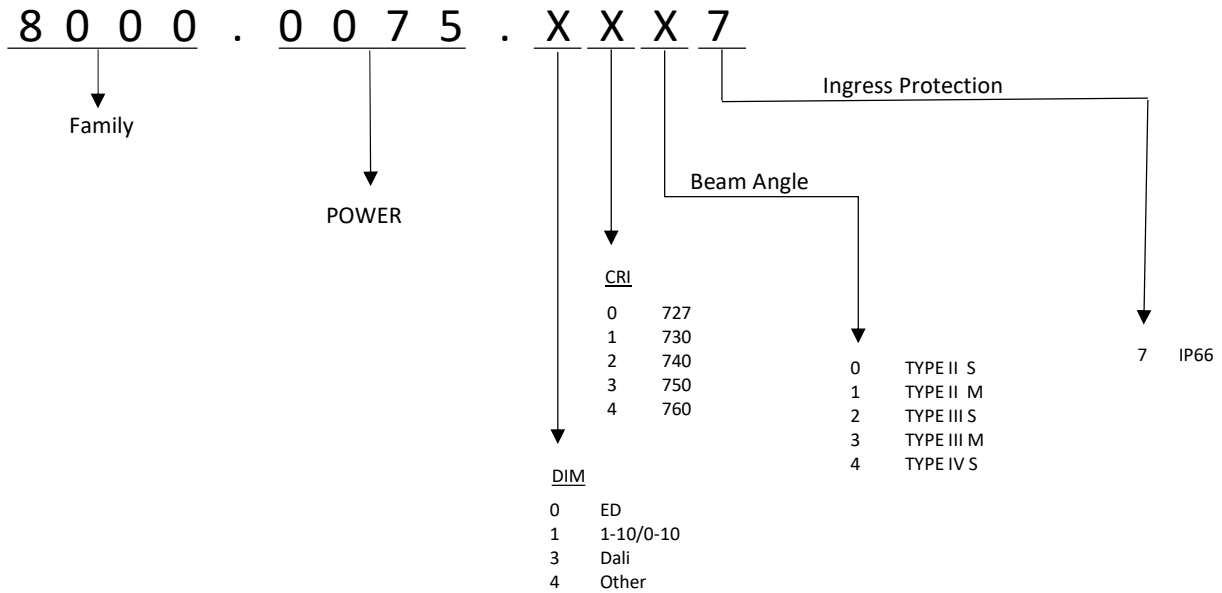
The operating temperature ranges apply only to luminaires used in the outdoor environment.

Power tolerance +/- 5%.

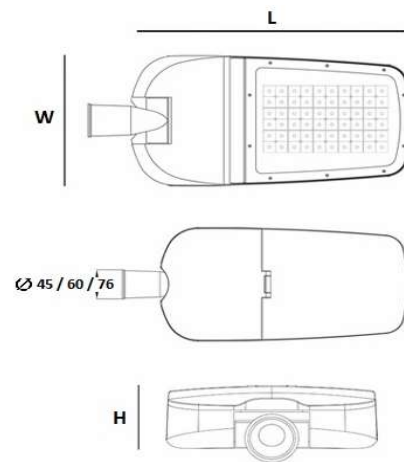
Colour temperature tolerance +/- 5%.

The EKO-LED Company reserves right to introduce any construction changes and improvements into the lighting.

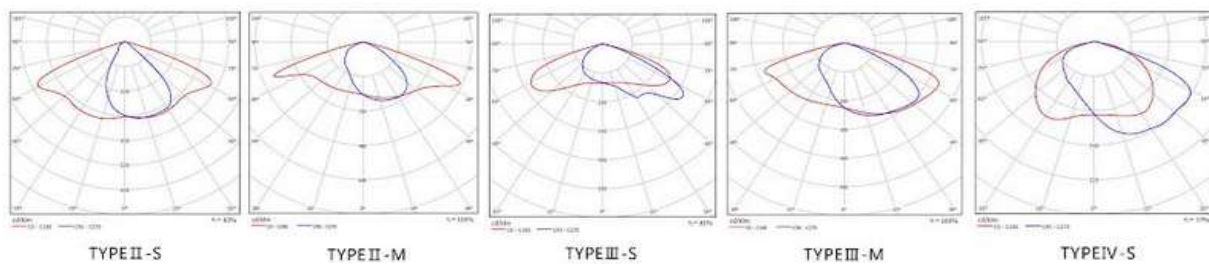
ORDER DETAILS



Code	Dimension (mm)
8000.0035.XXX7	L 600 X W 230 X H 110
8000.0075.XXX7	L 600 X W 230 X H 110
8000.0100.XXX7	L 656 X W 265 X H 110
8000.0150.XXX7	L 740 X W 306 X H 115
8000.0180.XXX7	L 740 X W 306 X H 115
8000.0210.XXX7	L 915 X W 418 X H 145



PHOTOMETRIC DISTRIBUTIONS



Please note that the standard luminaire is not intended for use in an environment with a high degree of salinity. If it is required to adapt the luminaire to work in such an environment, please contact our Sales Department to confirm the possibility of using an additional protective coating.

The operating temperature ranges apply only to luminaires used in the outdoor environment.

Power tolerance +/- 5%.

Colour temperature tolerance +/- 5%.

The EKO-LED Company reserves right to introduce any construction changes and improvements into the lighting.