

CE IP 66 IK 08

## 8006

# Street Light

### TECHNICAL DATA

**Mounting:** Pole 60mm or on out riggers 60mm  
**Body:** Diecast Aluminium  
**Colour:** Grey  
**Protection:** IP66  
**Operation temperature:** -30<sup>0</sup> ~ +50<sup>0</sup>

### ELECTRICAL DATA

**Type of Equipment:** ED, Dimmable on request  
**Power factor:** 0.90<  
**Input Voltage:** AC 220-240V 50/60Hz

### OPTICAL DATA

**Distribution:** IESNA TYPE II,III & IV  
**Way of lighting:** Direct  
**Diffuser:** Tempered Glass  
**CCT:** 3000K / 4000K / 5000K  
**CRI:** 70<

### GENERAL DATA

**Application :** local roads, town roads,residential area roads, area lighting  
**Warranty:** 5 Years

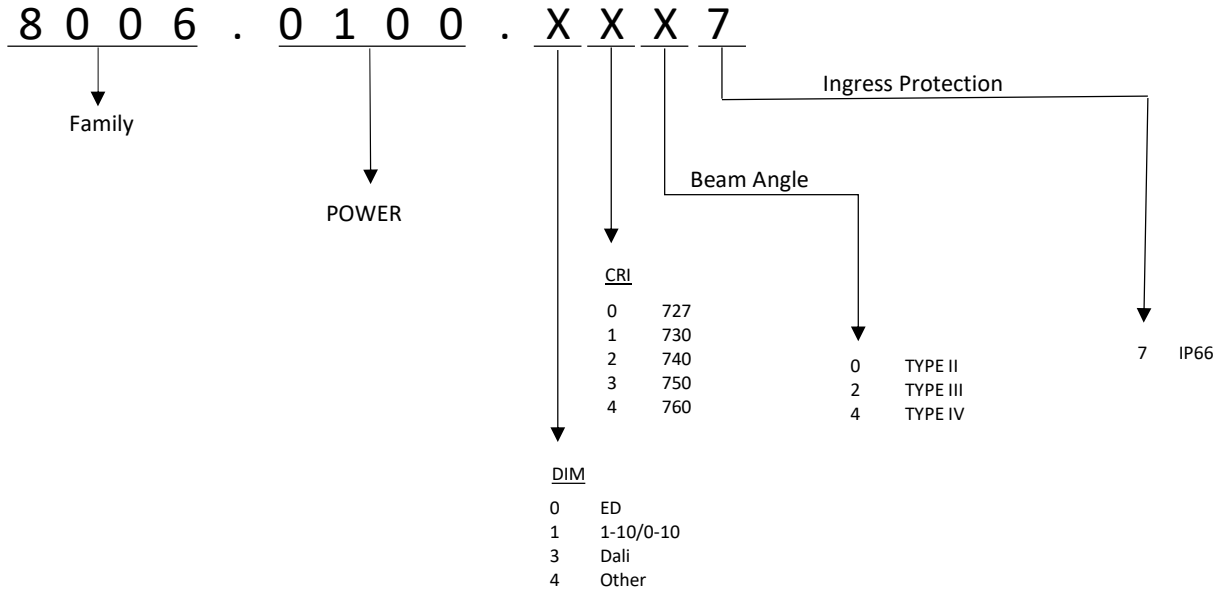


Code	Type of		CRI / Ra	Luminous		Operating Temperature Range
	Equipment	Power		Efficacy	Lumens	
8006.0040.XXX7	ED	40	70	140	5600	-30 <sup>0</sup> ~ +50 <sup>0</sup>
8006.0060.XXX7	ED	60	70	140	8400	-30 <sup>0</sup> ~ +50 <sup>0</sup>
8006.0100.XXX7	ED	100	70	140	14000	-30 <sup>0</sup> ~ +50 <sup>0</sup>
8006.0120.XXX7	ED	120	70	140	16800	-30 <sup>0</sup> ~ +50 <sup>0</sup>
8006.0150.XXX7	ED	150	70	140	21000	-30 <sup>0</sup> ~ +50 <sup>0</sup>

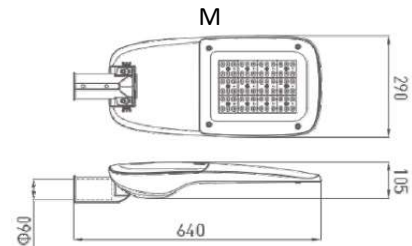
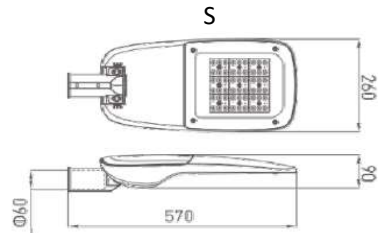
Please note that the standard luminaire is not intended for use in an environment with a high degree of salinity. If it is required to adapt the luminaire to work in such an environment, please contact our Sales Department to confirm the possibility of using an additional protective coating.  
 The operating temperature ranges apply only to luminaires used in the outdoor environment.  
 Power tolerance +/- 5%.  
 Colour temperature tolerance +/- 5%.

The EKO-LED Company reserves right to introduce any construction changes and improvements into the lighting.

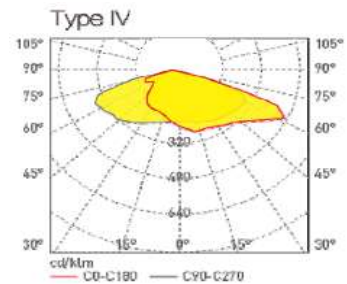
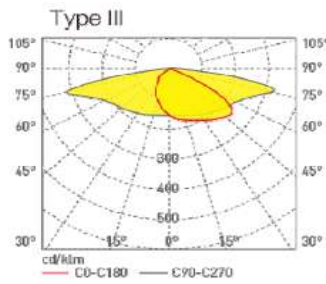
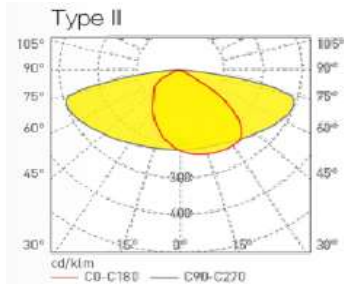
## ORDER DETAILS



Code	Dimension (mm)
8006.0040.XXX7	L 570 X W 260 X H 90
8006.0060.XXX7	L 570 X W 260 X H 90
8006.0100.XXX7	L 640 X W 290 X H 105
8006.0120.XXX7	L 640 X W 290 X H 105
8006.0150.XXX7	L 640 X W 290 X H 105



## PHOTOMETRIC DISTRIBUTIONS



Please note that the standard luminaire is not intended for use in an environment with a high degree of salinity. If it is required to adapt the luminaire to work in such an environment, please contact our Sales Department to confirm the possibility of using an additional protective coating.

The operating temperature ranges apply only to luminaires used in the outdoor environment.

Power tolerance +/- 5%.

Colour temperature tolerance +/- 5%.

The EKO-LED Company reserves right to introduce any construction changes and improvements into the lighting.