

CE IP 65

3513

Wall Light

TECHNICAL DATA

Mounting: Surface
Body: Diecast Aluminium
Colour: White, Black, Dark Grey
Protection: IP65
Operation temperature: 0-50

ELECTRICAL DATA

Power:
Type of Equipment: ED, Dimmable on request
Power factor: 0.9<

OPTICAL DATA

Beam Angle: 24 / 36
Way of lighting: Direct (Down)
Diffuser: PC lens / Tempered Glass
CCT: 3000K, 4000K, 5000K
CRI: 70/80<

GENERAL DATA

Warranty:
Application : Facades, Hotels, Shopping centers, Museums, Restaurants ...

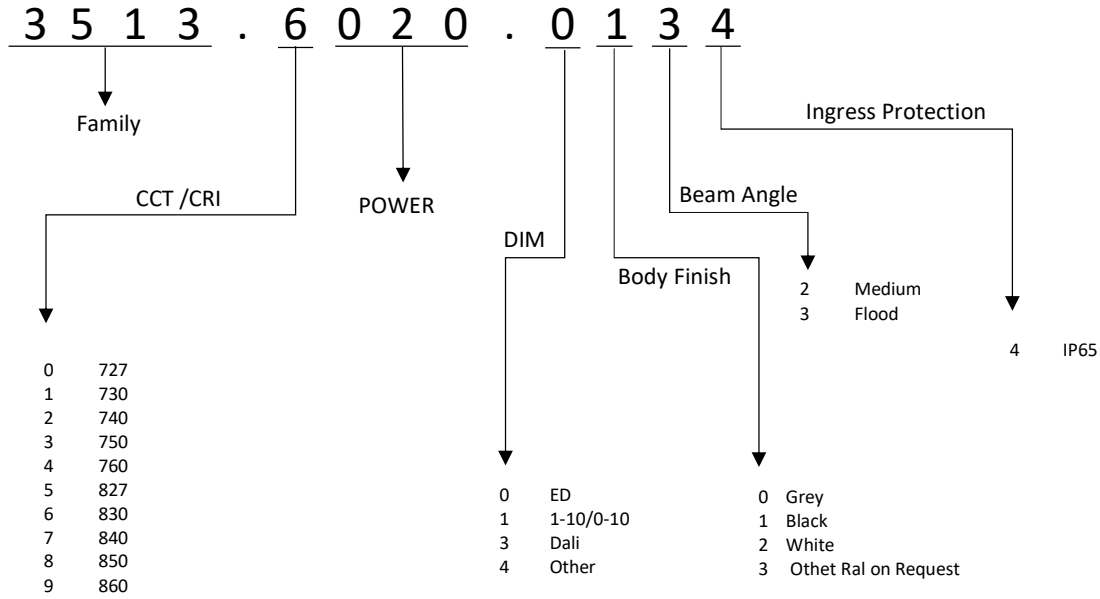


Code	Type of Equipment	Power	CRI / Ra	Luminous Efficacy	Lumens	Operating Temperature Range
3513.6020.0134	ED	20	80	80	1600	0 - 50

Please note that the standard luminaire is not intended for use in an environment with a high degree of salinity. If it is required to adapt the luminaire to work in such an environment, please contact our Sales Department to confirm the possibility of using an additional protective coating.
 The operating temperature ranges apply only to luminaires used in the outdoor environment.
 Power tolerance +/- 5%.
 Colour temperature tolerance +/- 5%.

The EKO-LED Company reserves right to introduce any construction changes and improvements into the lighting.

ORDER DETAILS

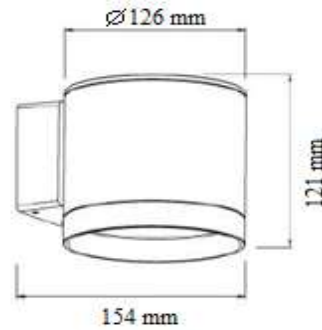


Code

3513.6020.0134

Dimension (mm)

D 126 X H: 121



PHOTOMETRIC DISTRIBUTIONS

Please note that the standard luminaire is not intended for use in an environment with a high degree of salinity. If it is required to adapt the luminaire to work in such an environment, please contact our Sales Department to confirm the possibility of using an additional protective coating.

The operating temperature ranges apply only to luminaires used in the outdoor environment.

Power tolerance +/- 5%.

Colour temperature tolerance +/- 5%.

The EKO-LED Company reserves right to introduce any construction changes and improvements into the lighting.