

CE IP 66 IK 07

6503

Solar LED Bollard

TECHNICAL DATA

Mounting: Surface
Body: Diecast Aluminium
Colour: Black
Protection: IP66
Operation temperature: 0 - +50
Solar Panel: Mono-crystalline solar panel 5W
Battery: LifePO4 battery 38.4 Wh
Charging Time: >8 Hours
Operating Time: Normal Mode>11 Hrs; Intelligent mode 2-3 Days

ELECTRICAL DATA

Power: 3W
Type of Equipment: ED, Dimmable on request
Power factor: 0.9<

OPTICAL DATA

Beam Angle:
Way of lighting: Direct
Diffuser: PC
CCT: 4000K (3000K & 5000K Optional)
CRI: 80<
Luminous Flux: Type V 105lm/W, Type IV 100lm/W
 & Type V 130lm/W

GENERAL DATA

Warranty:
Application : Parks, Gardens, Pathway, Shopping malls etc..

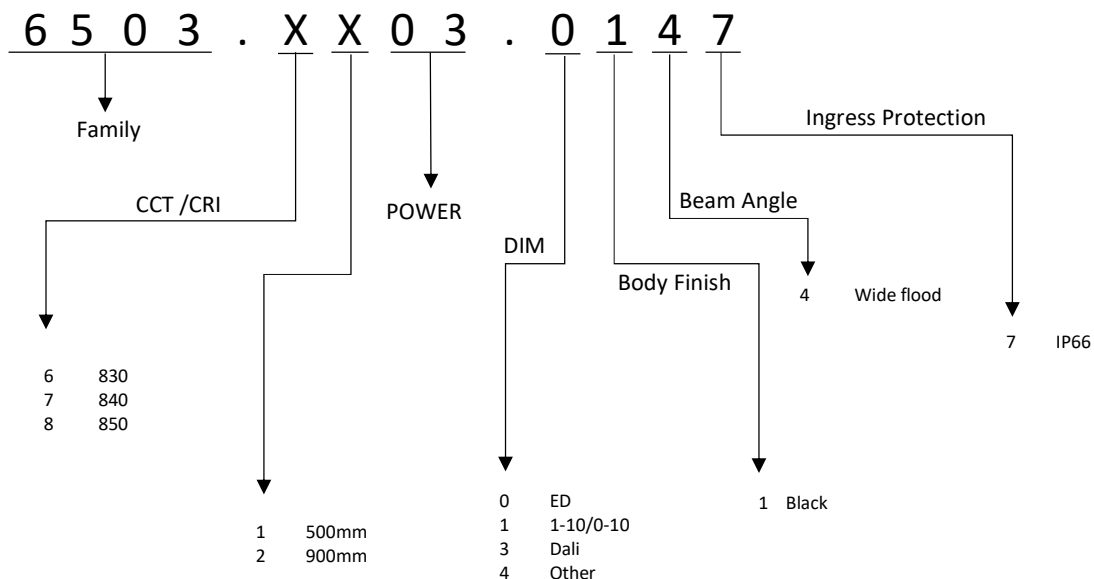


Code	Type of Equipment	Power	CRI / Ra	Luminous Efficacy	Lumens	Operating Temperature Range
6503.X103.0147	ED/DIM	3	80	100	300	0 - +50
6503.X203.0147	ED/DIM	3	80	100	300	0 - +50

Please note that the standard luminaire is not intended for use in an environment with a high degree of salinity. If it is required to adapt the luminaire to work in such an environment, please contact our Sales Department to confirm the possibility of using an additional protective coating.
 The operating temperature ranges apply only to luminaires used in the outdoor environment.
 Power tolerance +/- 5%.
 Colour temperature tolerance +/- 5%.

The EKO-LED Company reserves right to introduce any construction changes and improvements into the lighting.

ORDER DETAILS



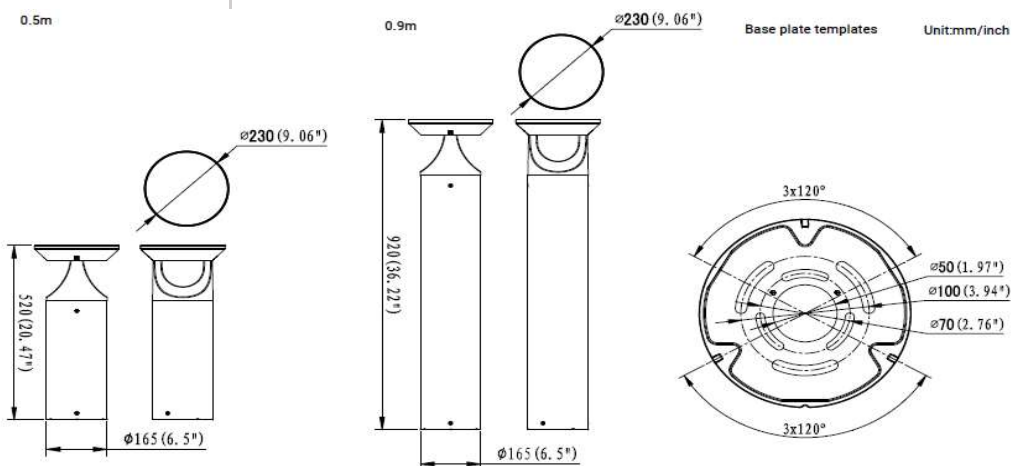
Code	Dimension (mm)
------	----------------

6503.X103.0147

D 230 X H 520

6503.X203.0147

D 230 X H 920



Please note that the standard luminaire is not intended for use in an environment with a high degree of salinity. If it is required to adapt the luminaire to work in such an environment, please contact our Sales Department to confirm the possibility of using an additional protective coating.

The operating temperature ranges apply only to luminaires used in the outdoor environment.

Power tolerance +/- 5%.

Colour temperature tolerance +/- 5%.

The EKO-LED Company reserves right to introduce any construction changes and improvements into the lighting.