

CE IP 44

1067

## Recessed Down Light

### TECHNICAL DATA

**Mounting:** Recessed  
**Body:** Diecast Aluminium  
**Colour:** White, Black  
**Protection:** IP44  
**Operation temperature:** 0~35°

### ELECTRICAL DATA

**Power:** 7-10W  
**Type of Equipment:** ED, Dimmable on request  
**Power factor:** 0.9<  
**Input Voltage:** AC 220-240V 50/60Hz

### OPTICAL DATA

**Beam Angle:** 15 / 24 / 38°  
**Way of lighting:** Direct  
**Diffuser:**  
**CCT:** 3000K, 4000K, 5000K  
**CRI:** 80<

### GENERAL DATA

**Warranty:** 5Years  
**Application :** Office, Residential, Hospitals

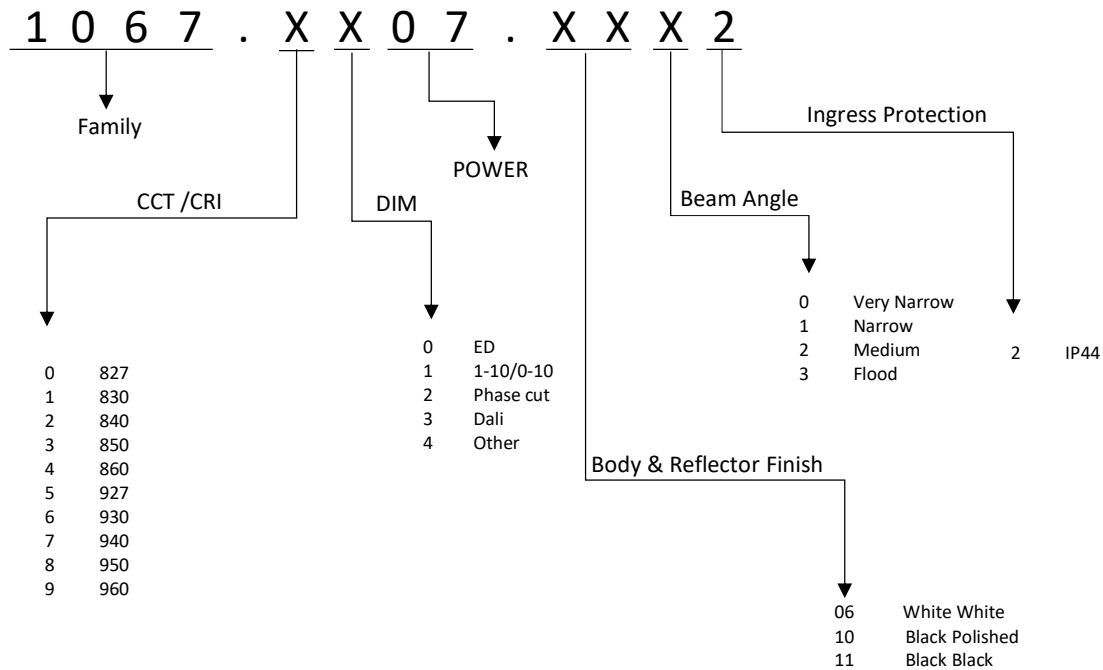


Code	Type of Equipment	Power	CRI / Ra	Luminous Efficacy	Lumens	Operating Temperature Range
1067.XX07.XXX2	ED/DIM	7	80/90	80	560	0 - 35
1067.XX10.XXX2	ED/DIM	10	80/90	80	800	0 - 35

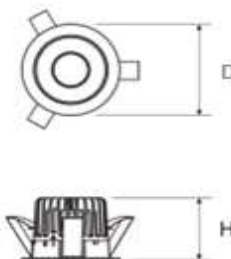
Please note that the standard luminaire is not intended for use in an environment with a high degree of salinity. If it is required to adapt the luminaire to work in such an environment, please contact our Sales Department to confirm the possibility of using an additional protective coating.  
 The operating temperature ranges apply only to luminaires used in the outdoor environment.  
 Power tolerance +/- 5%.  
 Colour temperature tolerance +/- 5%.

The EKO-LED Company reserves right to introduce any construction changes and improvements into the lighting.

## ORDER DETAILS



Code	Dimension (mm)	Cutout (mm)
1067.XX07.XXX2	D 60 X H 61	55
1067.XX10.XXX2	D 81 X H 75	75



Please note that the standard luminaire is not intended for use in an environment with a high degree of salinity. If it is required to adapt the luminaire to work in such an environment, please contact our Sales Department to confirm the possibility of using an additional protective coating.

The operating temperature ranges apply only to luminaires used in the outdoor environment.

Power tolerance +/- 5%.

Colour temperature tolerance +/- 5%.

The EKO-LED Company reserves right to introduce any construction changes and improvements into the lighting.