

CE IP 20

1450

Wall/Ceiling Light

TECHNICAL DATA

Mounting: Surface
Body: Aluminium
Colour: White
Protection: IP20
Operation temperature: 0-35

ELECTRICAL DATA

Power: 12W
Type of Equipment: ED, Dimmable on request
Power factor: 0.9<
Input Voltage: AC 220-240V 50/60Hz

OPTICAL DATA

Beam Angle: Wide Beam
Way of lighting: Direct
Diffuser: PS
CCT: 3000K, 4000K, 6000K
CRI: 80<

GENERAL DATA

Warranty:
Application : Office, Residential, Hospital



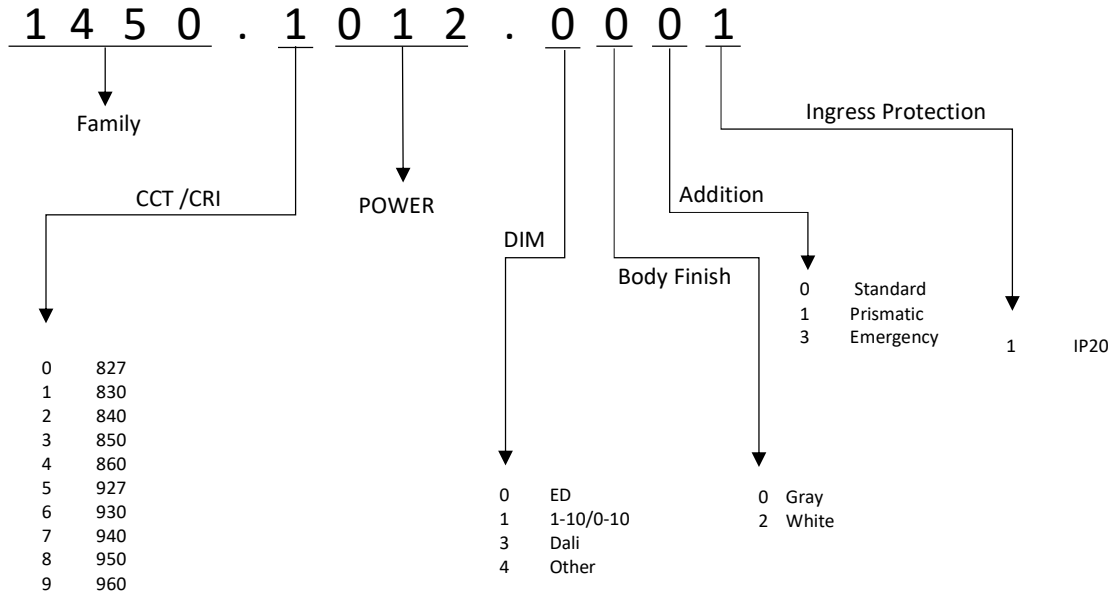
Code	Type of Equipment	Power	CRI / Ra	Luminous Efficacy	Lumens	Operating Temperature Range
1450.1012.0001	ED	12	85	80	960	0 - 35

Please note that the standard luminaire is not intended for use in an environment with a high degree of salinity. If it is required to adapt the luminaire to work in such an environment, please contact our Sales Department to confirm the possibility of using an additional protective coating.
The operating temperature ranges apply only to luminaires used in the outdoor environment.

Power tolerance +/- 5%.
Colour temperature tolerance +/- 5%.

The EKO-LED Company reserves right to introduce any construction changes and improvements into the lighting.

ORDER DETAILS

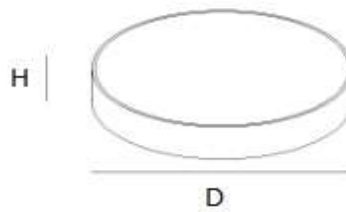


Code

1450.1012.0001

Dimension (mm)

D 170 X H: 32



PHOTOMETRIC DISTRIBUTIONS

Please note that the standard luminaire is not intended for use in an environment with a high degree of salinity. If it is required to adapt the luminaire to work in such an environment, please contact our Sales Department to confirm the possibility of using an additional protective coating.

The operating temperature ranges apply only to luminaires used in the outdoor environment.

Power tolerance +/- 5%.

Colour temperature tolerance +/- 5%.

The EKO-LED Company reserves right to introduce any construction changes and improvements into the lighting.